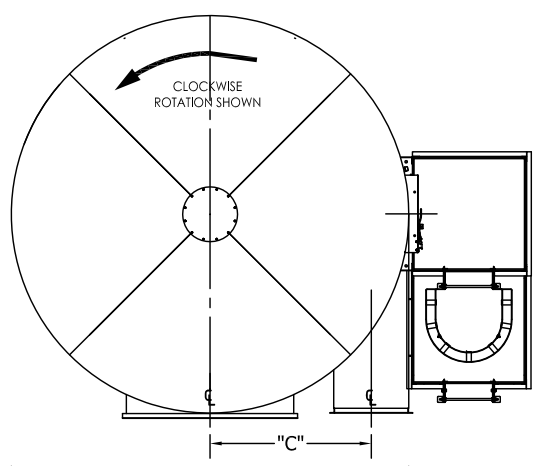


4

3

2

1



MODEL PROPERTIES

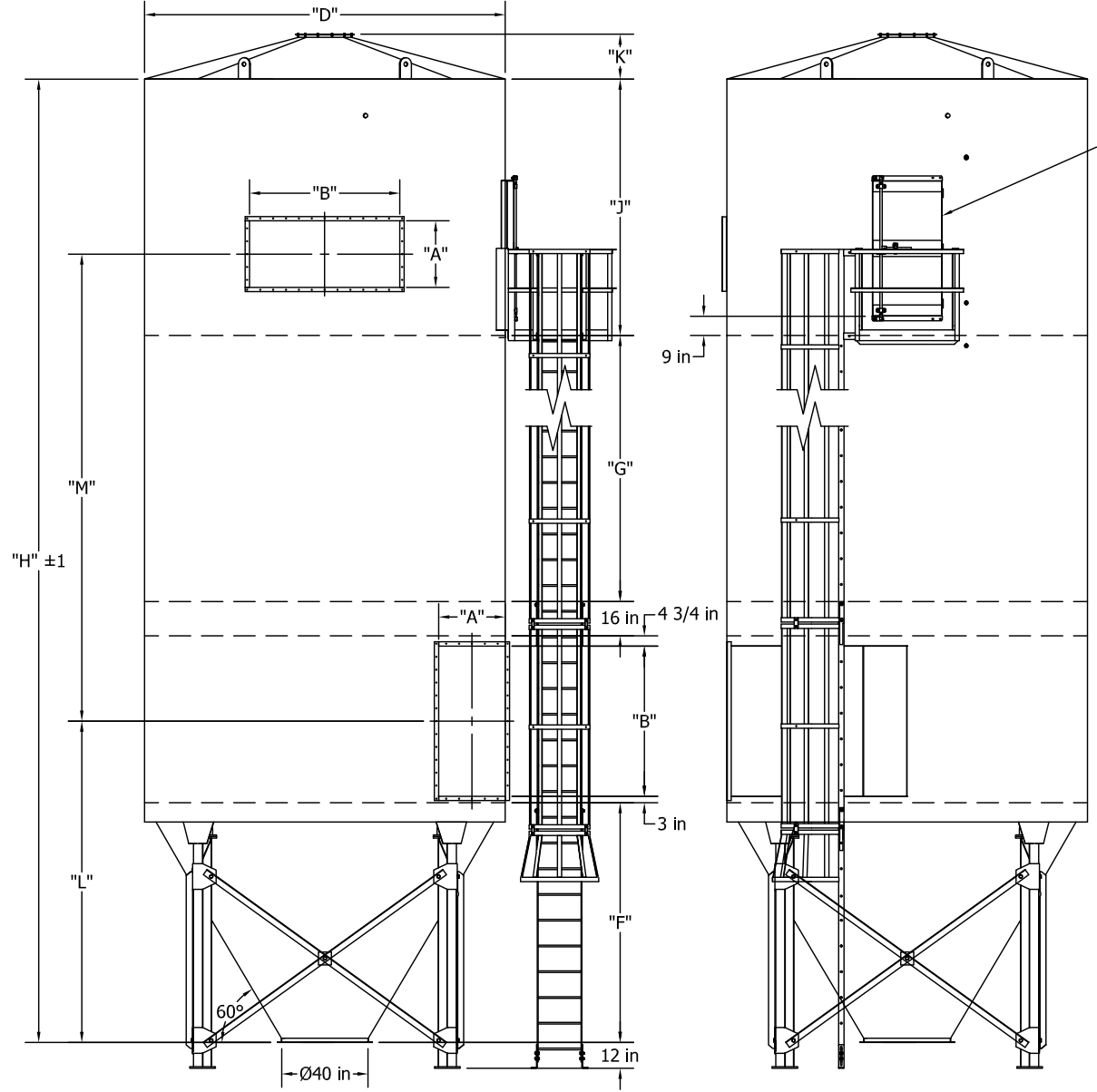
MODEL	UNIT DIA. FT.	NO. BAGS	BAG LENGTH FT.	CLOTH AREA (SQ. FT.)	FAN HP	WT (Lbs.)	MATERIAL
7BRF112-8	7	112	8	1175	10	7400	10 GAUGE
7BRF112-10			10	1466		8000	10 GAUGE
7BRF112-12			12	1759		8600	10 GAUGE
8BRF152-8	8	152	8	1594	10	8500	10 GAUGE
8BRF152-10			10	1990		9200	10 GAUGE
8BRF152-12			12	2388		9800	10 GAUGE
10BRF256-8	10	256	8	2685	15	11300	10 GAUGE
10BRF256-10			10	3351		12100	10 GAUGE
10BRF256-12			12	4022		13000	10 GAUGE
12BRF360-8	12	360	8	3776	20	14200	3/16" PLATE
12BRF360-10			10	4712		15010	3/16" PLATE
12BRF360-12			12	5656		16400	3/16" PLATE
13BRF416-8	13	416	8	4364	20	16700	3/16" PLATE
13BRF416-10			10	5445		17750	3/16" PLATE
13BRF416-12			12	6535		19200	3/16" PLATE
14BRF496-8	14	496	8	5203	25	18000	3/16" PLATE
14BRF496-10			10	6493		19100	3/16" PLATE
14BRF496-12			12	7792		20600	3/16" PLATE

FILTER DIMENSIONS

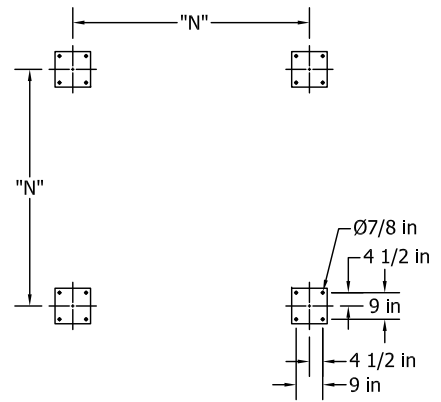
A	B	C	D	F	G	H	J	K	L	M	N	P	R	S	T	V
18	40	33	84	39	100.00	320 3/8	108	9 11/16	60 1/2	200 3/4	54 1/2	6	2	3 1/4	4 1/4	63
21	47	37 1/2	96	49 3/8	124.00	355 7/8	119 1/2	11 5/16	74 3/8	228 1/4	63	7	2	3 5/8	5 5/8	80
24	54	48	120	70 1/8	148.00	403 5/8	143 1/4	14 1/2	98 5/8	252 1/4	80	8	3	4 1/8	4 1/8	88
26	59	59	144	91	180.00	451 3/8	178 1/2	17 3/4	122	276 1/4	97	8	3	6 5/8	5 1/8	97
29	65	63 1/2	156	101 5/16	210.00	500 1/8	213 1/4	19 3/8	135 5/16	300 1/4	105 1/2	10	4	3 5/8	3 5/8	105
31	70	68 1/2	168	111 3/4	240.00	548 3/8	256 1/4	21	148 1/4	324 1/4	114	11	4	3 1/8	4 5/8	115

B

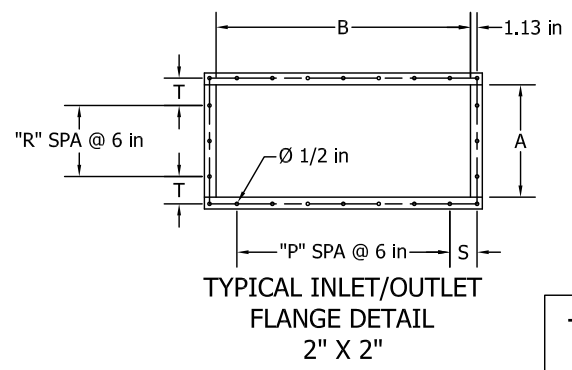
B



60° HIGH X 36" WIDE DOOR OPENING

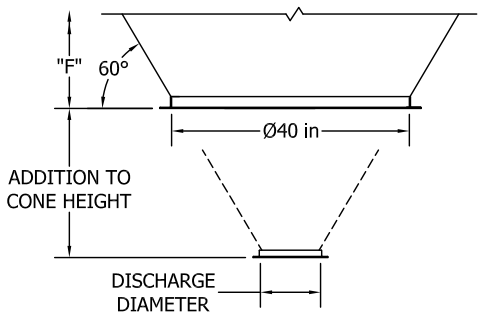


BRF FOUNDATION LAYOUT



TYPICAL INLET/OUTLET FLANGE DETAIL 2" X 2"

DISCHARGE DIAMETER	ADDITIONAL HEIGHT
Ø40 in	0
Ø24 in	13 3/8
Ø20 in	16 13/16
Ø18 in	18 9/16
Ø16 in	20 5/16
Ø14 in	22
Ø12 in	23 3/4
Ø10 in	25 1/4



NOTE:

1. FAN MOTOR: XPFC , 230/460/3/60 (SEE CHART FOR HP).
2. DRIVE MOTOR: 1/4 HP, 1700 RPM, XPFC, 230/460/3/60
3. NO COMPRESSED AIR REQUIRED.
4. CONTINUOUS WELD CONSTRUCTION FROM 10 GAUGE OR 3/16" PLATE HRS.
5. CLOTH AREA PER BAG:  
 BAG LENGTH OF 8' = 10.49 FT<sup>2</sup>  
 BAG LENGTH OF 10' = 13.09 FT<sup>2</sup>  
 BAG LENGTH OF 12' = 15.71 FT<sup>2</sup>
6. DIMENSIONS SUBJECT TO CHANGE WITHOUT NOTICE.

**TITLE:** Reverse Air Baghouse 5  
 For Preliminary use only  
 Refer to System Drawings for Details

**OPTIONS:**  
 Construction : \_\_\_\_\_  
 Paint Color : \_\_\_\_\_  
 Installation Available: \_\_\_\_\_

**DRAWN BY:** TEB  
**CHECKED BY:** PCS  
**DATE:** 03/15/11  
**SCALE:** 1 = 32

**IMPERIAL**  
 SYSTEMS, INC.

*Imperial Systems, Inc.*  
 300 Imperial Drive  
 Jackson Center, PA 16133  
 Phone 724-662-2801  
 Fax 724-662-2803  
 www.isystemsweb.com

**PRODUCT:** Reverse Air Baghouse 5

4

3

2

1

A

A