

LP AIRLOCKS

IMPERIAL
SYSTEMS, INC.

LP Airlocks feature a compact design and is a less expensive alternative to our HD Airlocks. The unit offers the tightest flexible seal to ensure minimal, if any, air leakage.

It is used in low-pressure applications, such as on the bottom of a dust collector and for handling dry, free flowing, non-abrasive materials. It minimizes employee exposure to dust and makes the system less susceptible to material back-up and filter damage.

Advantages

- **Engineered by the Dust Collection Experts**
- **Robust 1/4" Plate & 10 Gauge Carbon Steel Construction**
- **Precise, Strong Welds**

Features

- 3/16" Nitrile Rubber (Buna-N) Wipers
Temperature Range is -20°F to 170°F
- 6 vane removable rotor
- Roller chain and sprocket drive including a heavy-duty gear reducer
- Flange pattern is suitable for round or square connections
- Premium Efficiency 1/2 HP motor
230/460/60 Hz/3 phase motor - UL Listed
- Sealed, 4-bolt flange outboard bearings
- Primed and painted industrial enamel
- Standard models are suitable for up to 24" W.C.

Options:

- Various voltage motor
- Variable speed selection
- Viton® wipers
Temperature Range is -14°F to 400°F
- Custom bolt patterns for inlet and outlets
- Custom transitions available

The LP Airlock has been designed with service in mind. No special tooling is required to replace worn parts, minimizing downtime.

Imperial Systems, Inc. is your dust collection & air pollution control expert; from designing and installing dust collection systems to manufacturing industry leading products, engineered for outstanding quality, safety and value.

All of our products can be fabricated to meet specific needs.



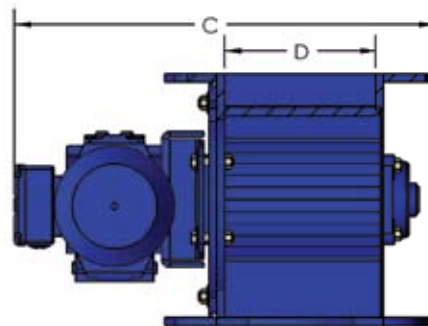
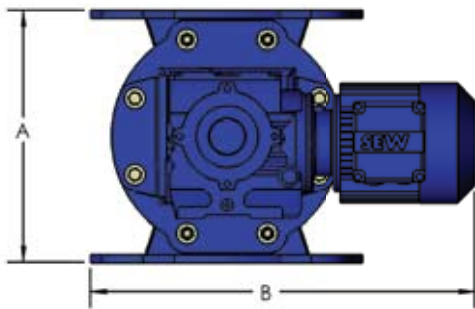
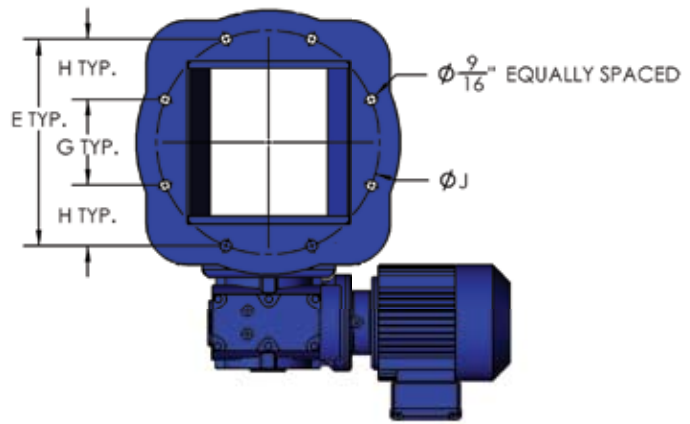
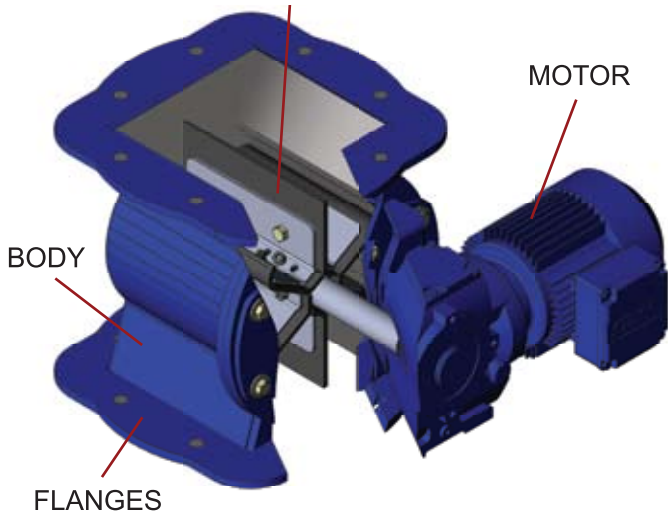
300 Imperial Drive Jackson Center, PA 16133
Tel 800.918.3013 | Fax 724.662.2803
info@isystemsweb.com

www.isystemsweb.com

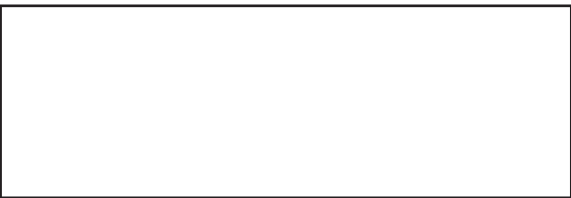
Disclaimer: Imperial Systems, Inc. is not responsible for typographical errors that may appear.



LP AIRLOCKS



MODEL	A	B	C	D	E	G	H	J	# OF HOLES
ALLP-8	12	18 3/4	20 1/8	7 1/4	10 3/16	4 3/16	3	11	8
ALLP-10	14	19 3/8	22 1/8	9 1/4	12 5/16	5 3/8	3 3/16	14	8



*Drawings are for representation only.
Refer to certified sales drawings for accurate representation.*

Proud Product Representative



300 Imperial Drive Jackson Center, PA 16133
Tel 800.918.3013 | Fax 724.662.2803
info@isystemsweb.com

www.isystemsweb.com

Disclaimer: Imperial Systems, Inc. is not responsible for typographical errors that may appear.